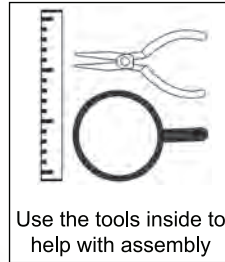
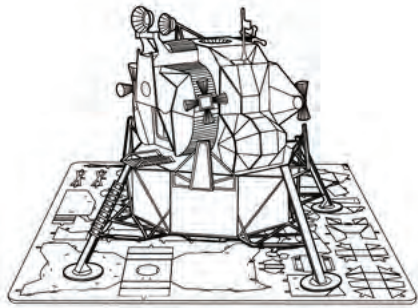
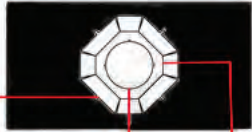


3D METAL ART

LUNAR LANDER



Use the tools inside to help with assembly



Tabs are inserted into position and then folded to secure
 Tabs slot in here
 Fold pieces along the scored lines

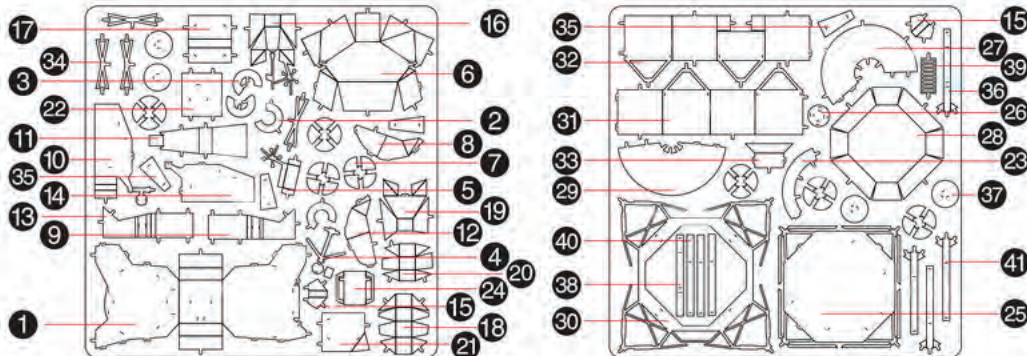
How to secure pieces

● For visible tabs; insert tab and bend 90 degrees

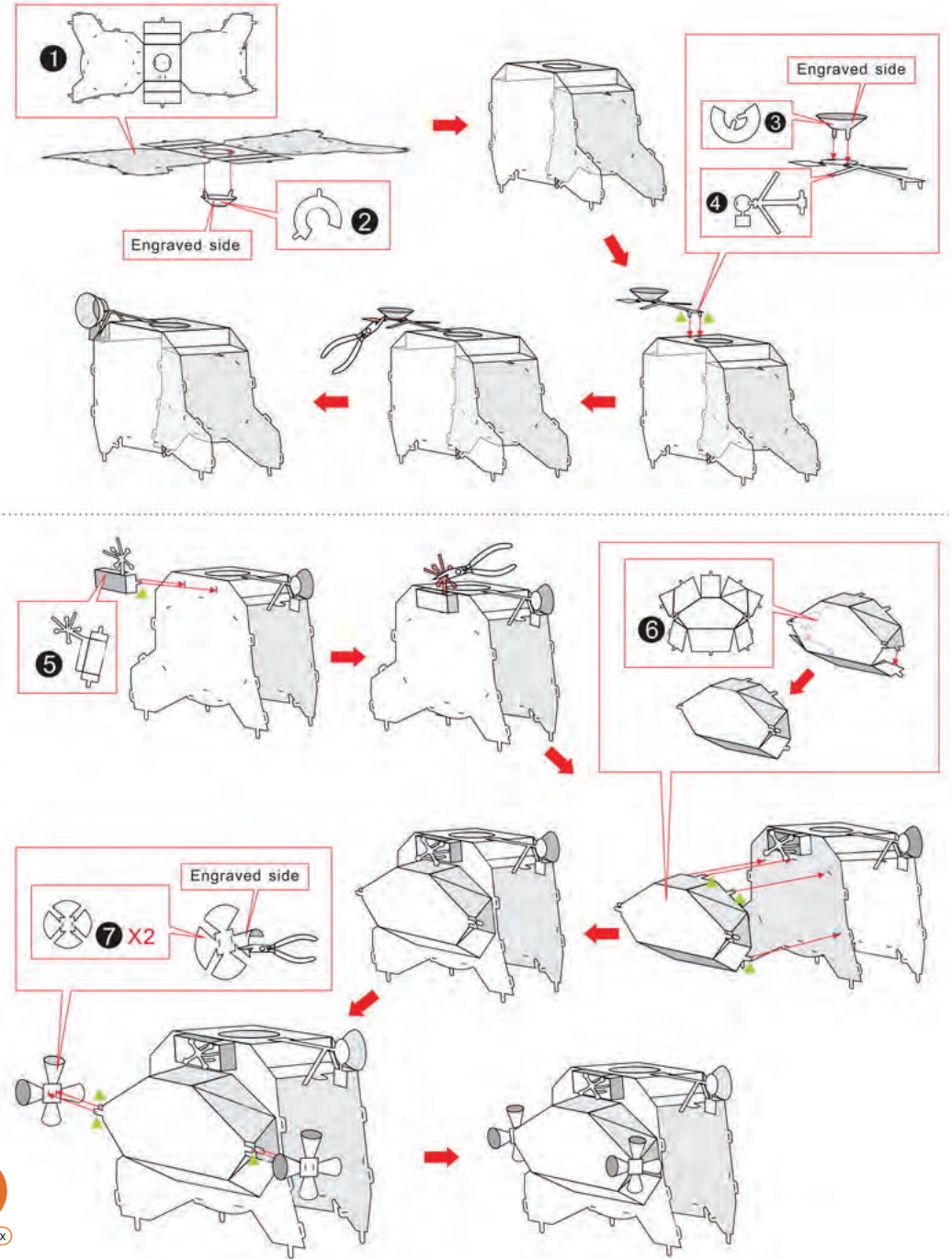
▲ For hidden tabs; insert tab and twist 90 degrees



Metal sheets

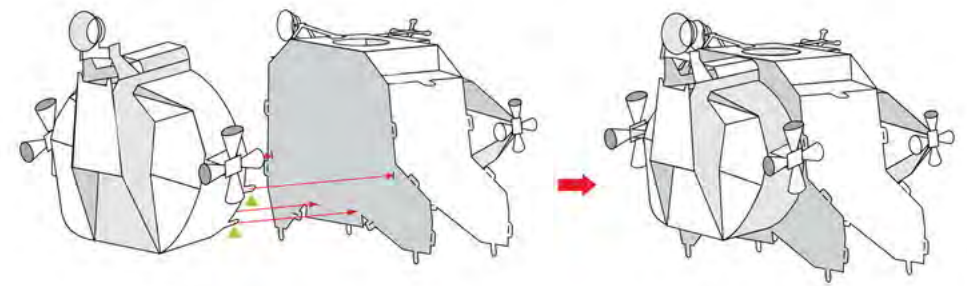
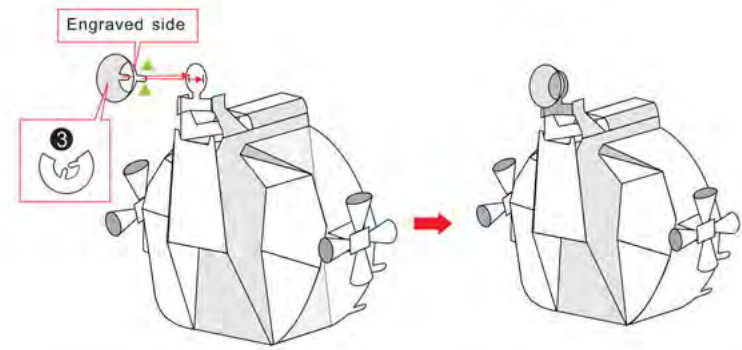
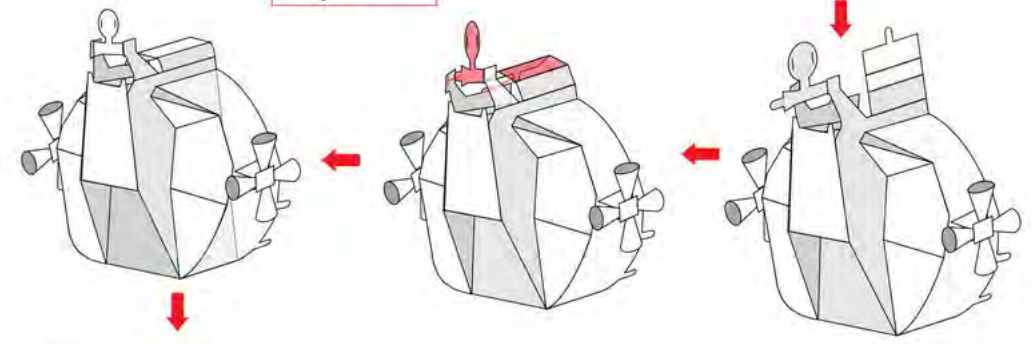
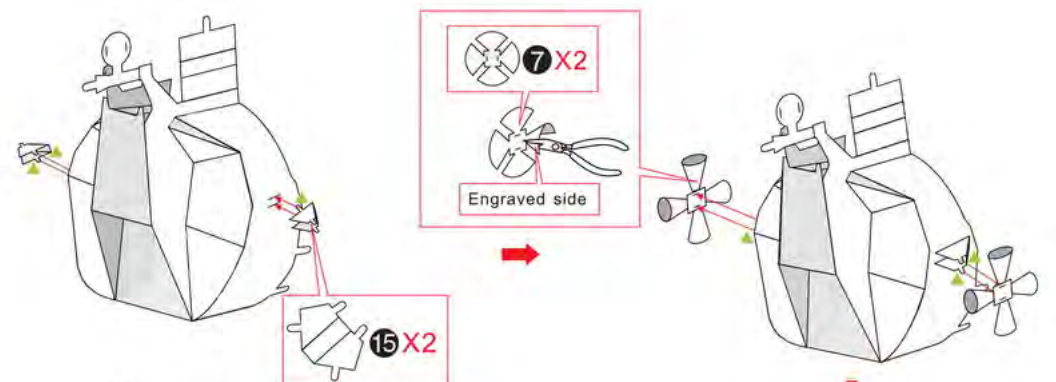
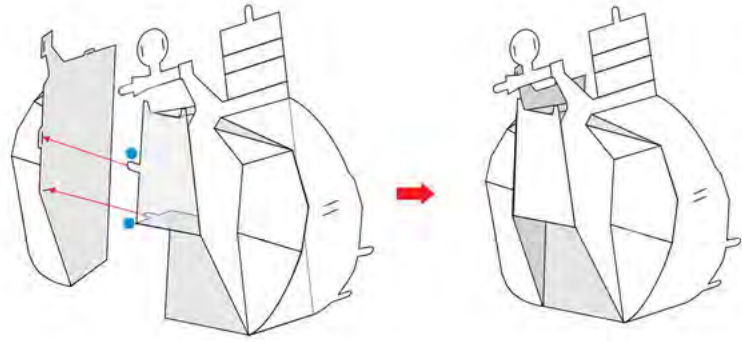
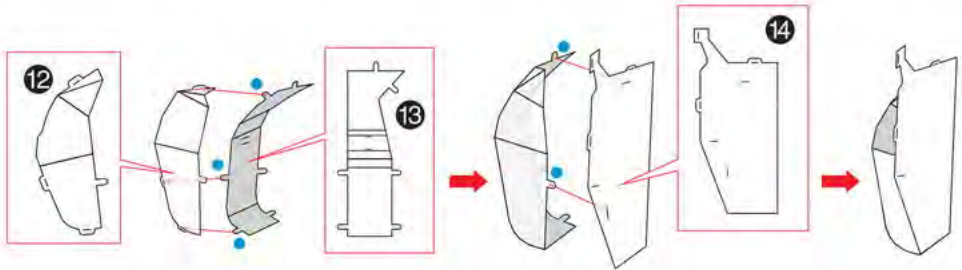
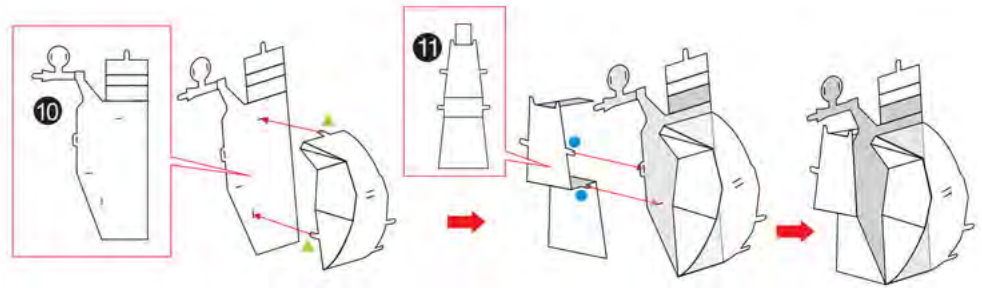
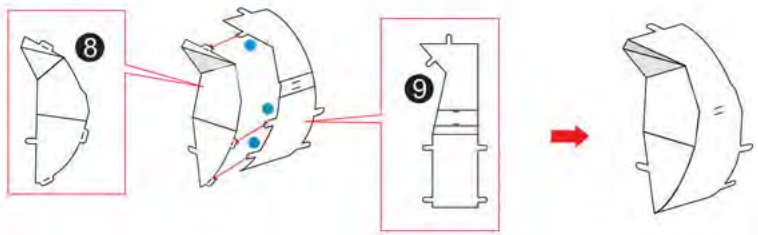


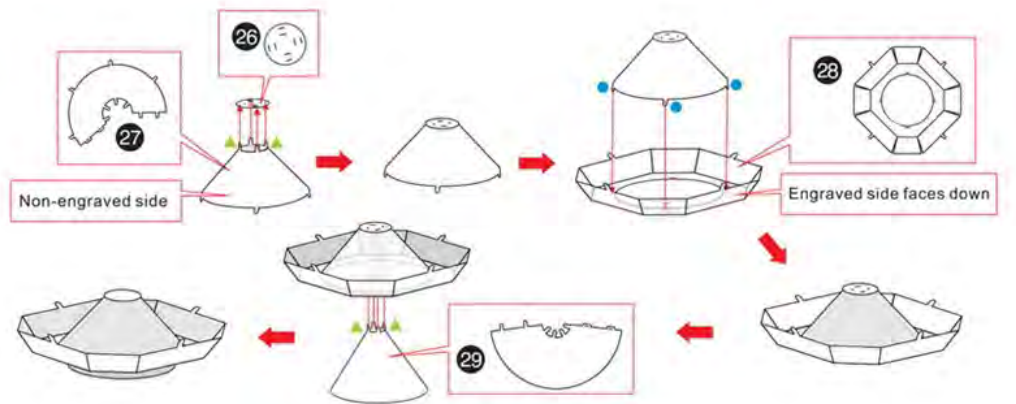
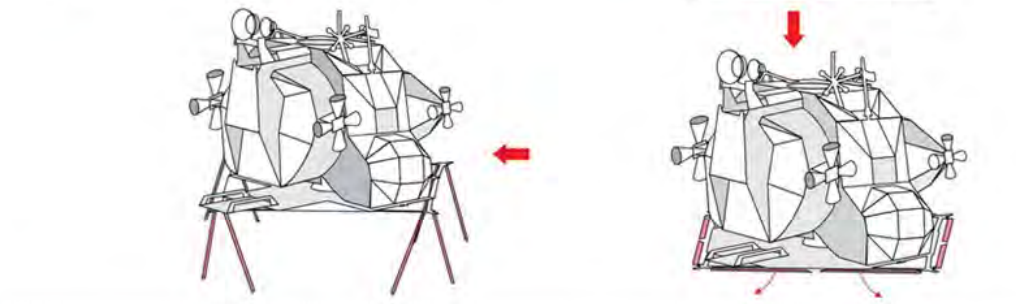
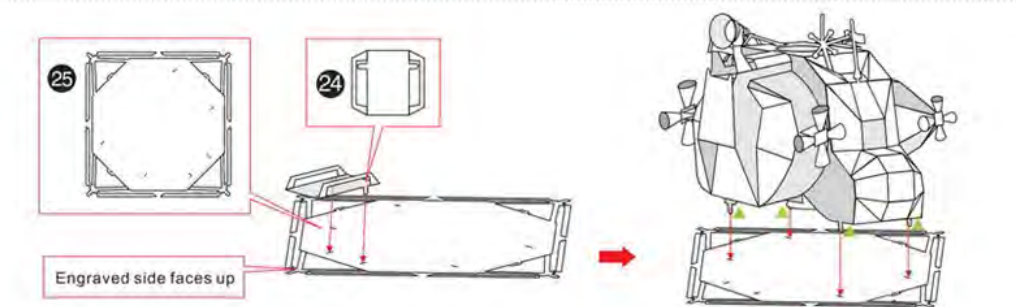
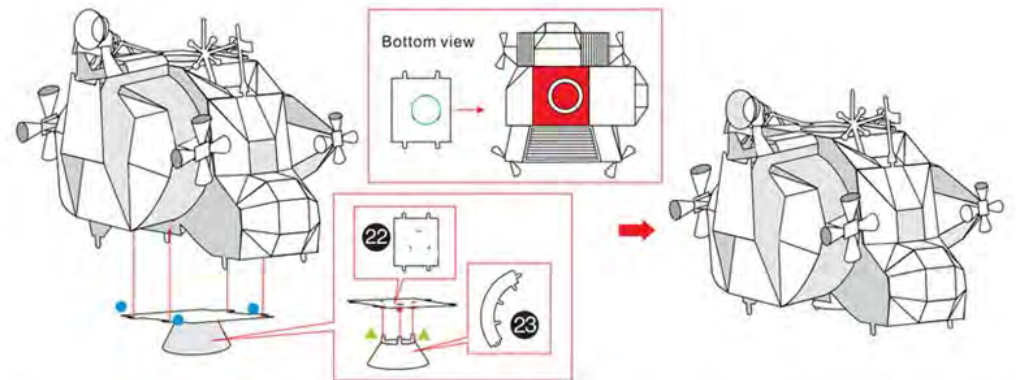
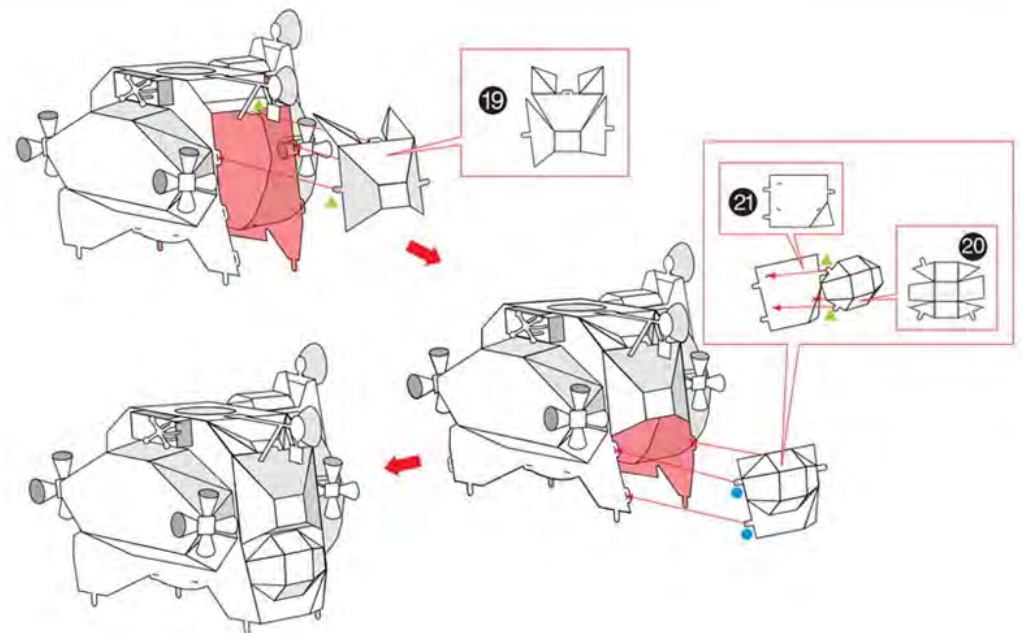
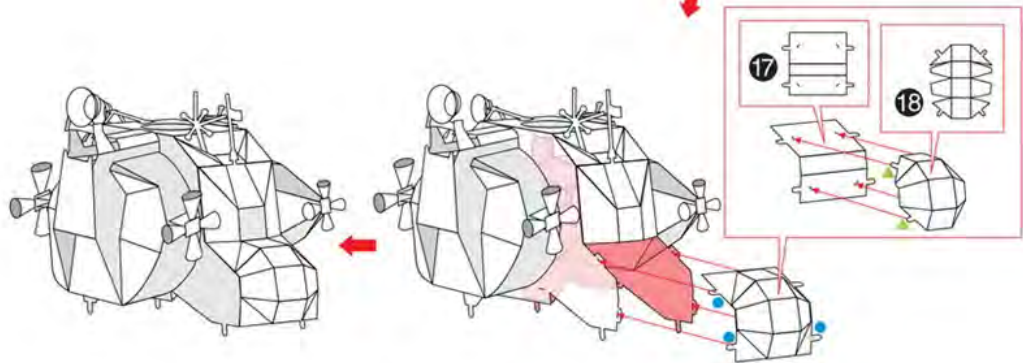
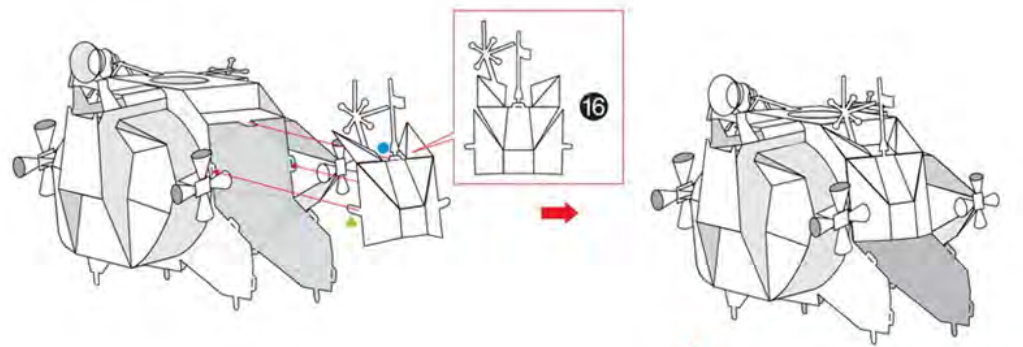
ASSEMBLY FLOW CHART

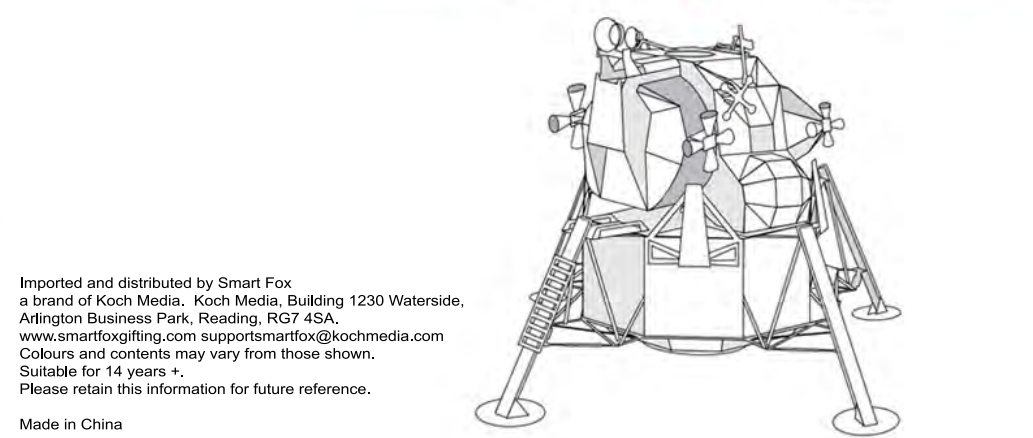
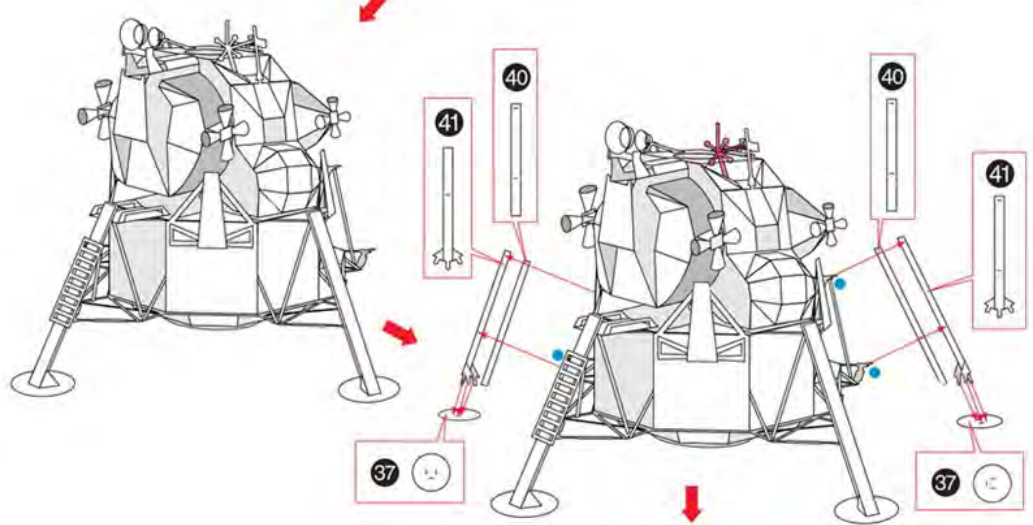
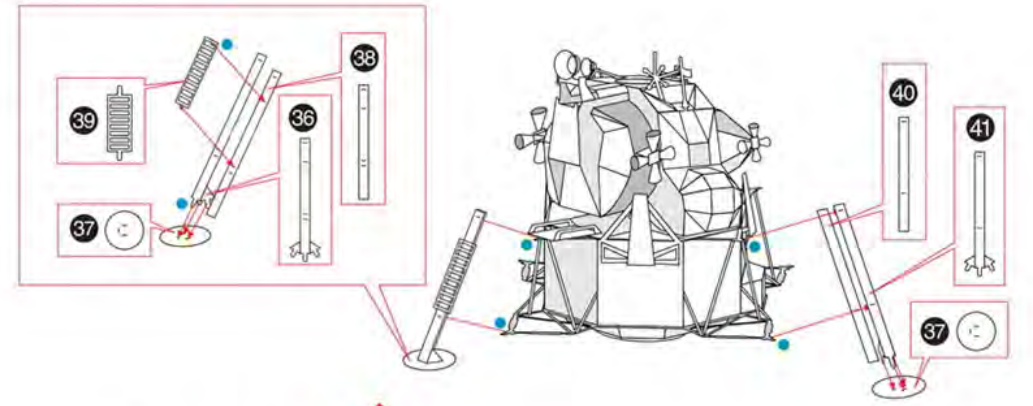
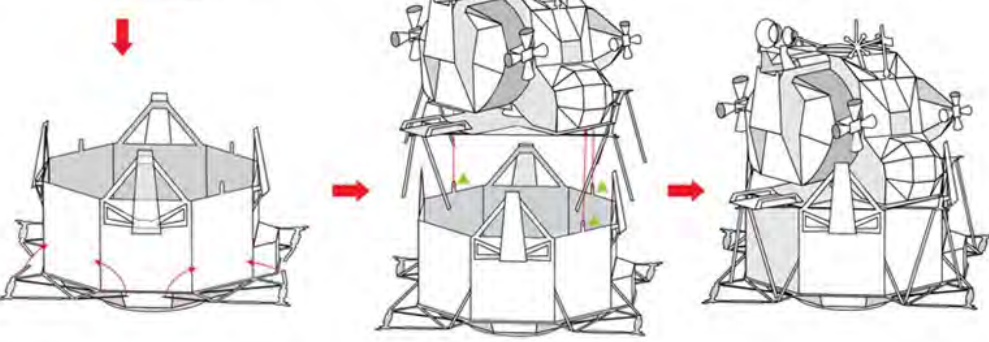
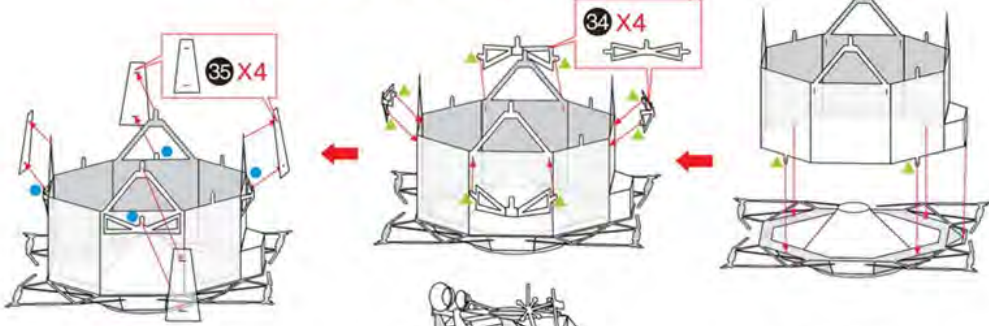
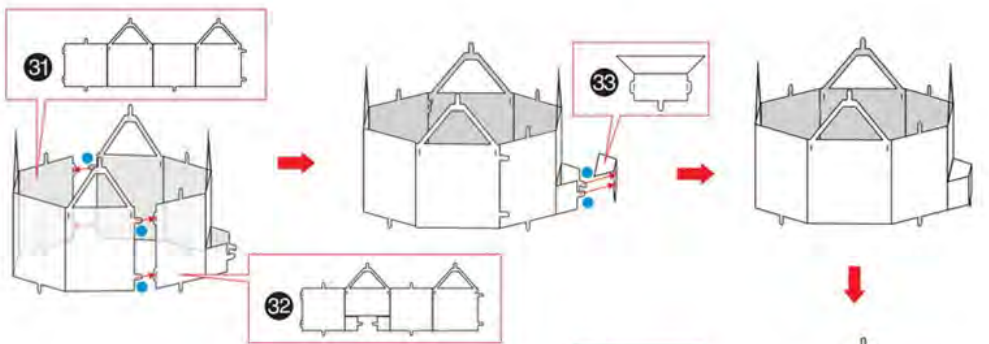
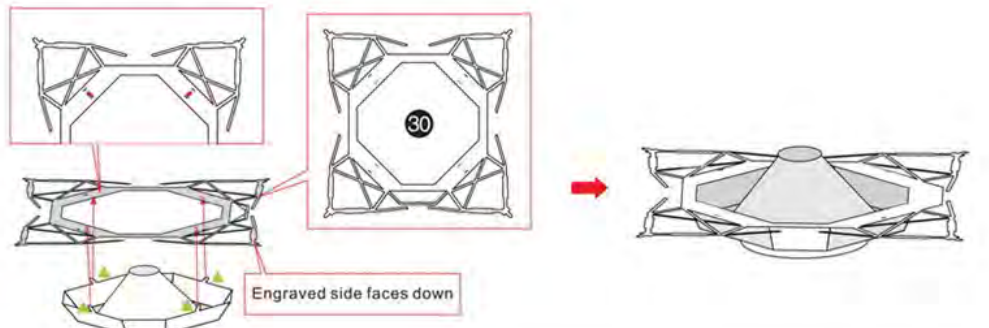


SHARP EDGES AND FUNCTIONAL SHARP POINTS. DISPOSE OF METAL SHEETS AFTER PARTS HAVE BEEN REMOVED TO AVOID POSSIBLE INJURY.







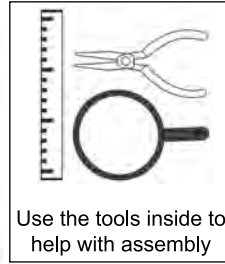
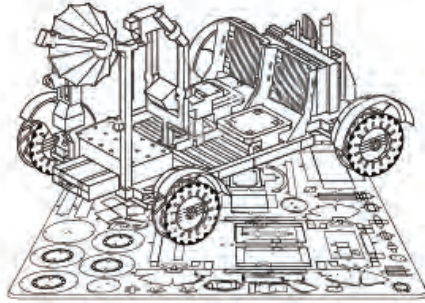


Imported and distributed by Smart Fox
 a brand of Koch Media. Koch Media, Building 1230 Waterside,
 Arlington Business Park, Reading, RG7 4SA.
www.smartfoxgifting.com supportsmartfox@kochmedia.com
 Colours and contents may vary from those shown.
 Suitable for 14 years +.
 Please retain this information for future reference.

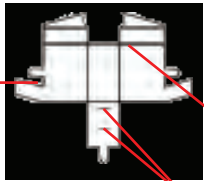
Made in China

3D METAL ART

MOON BUGGY



Use the tools inside to help with assembly



Tabs are inserted into position and then folded to secure

Fold pieces along the scored lines

Tabs slot in here

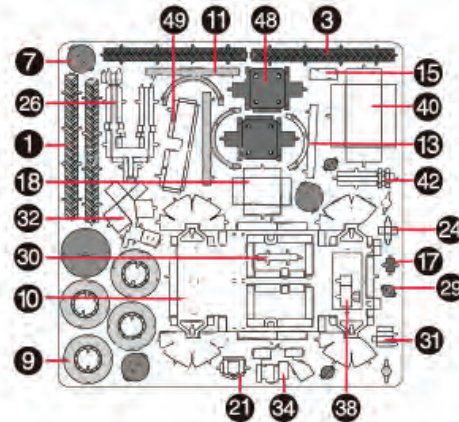
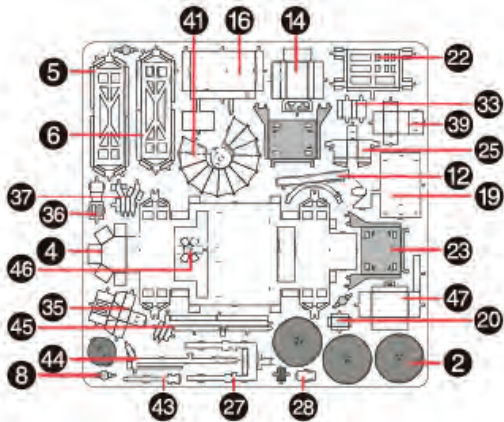
How to secure pieces

● For visible tabs; insert tab and bend 90 degrees

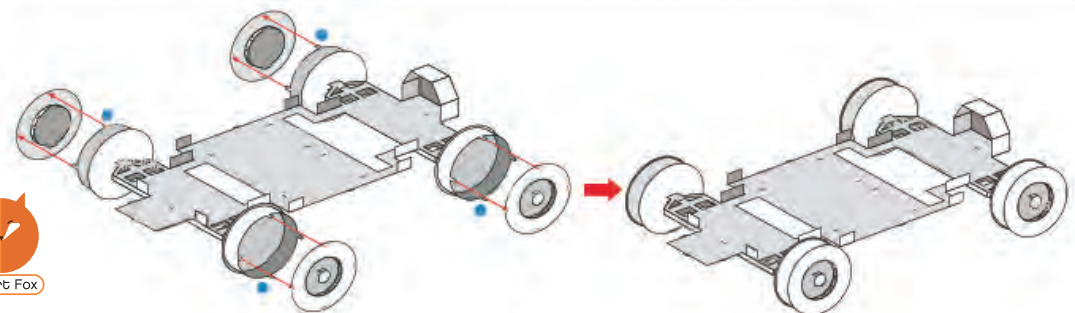
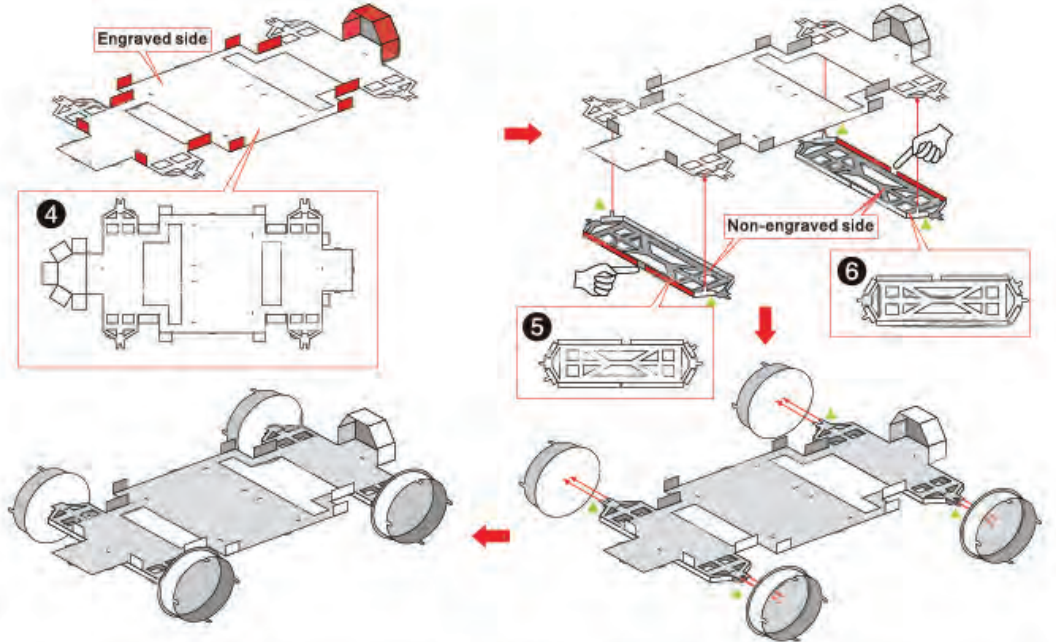
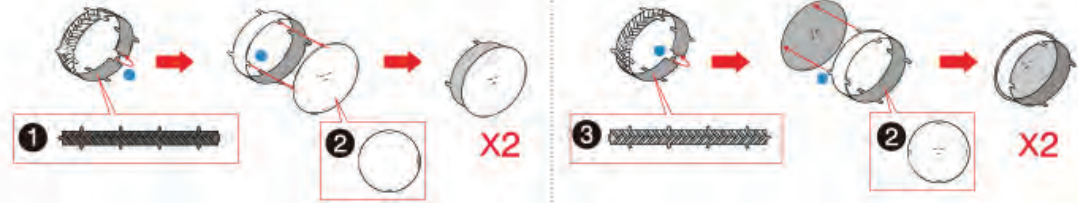
▲ For hidden tabs; insert tab and twist 90 degrees



Metal sheets

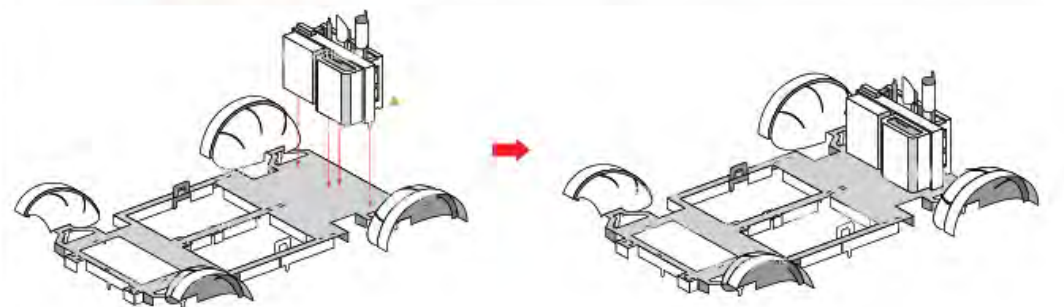
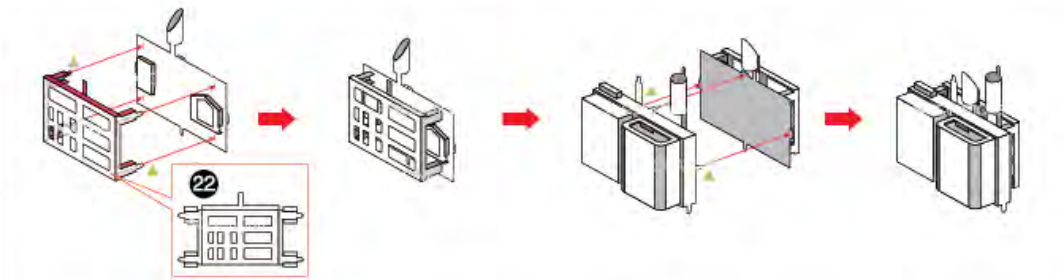
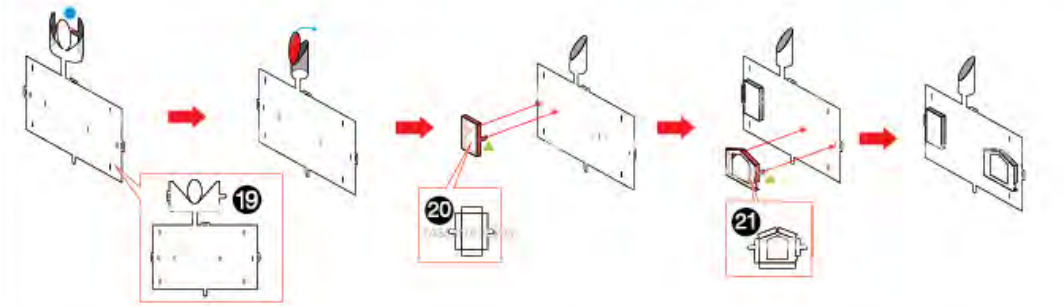
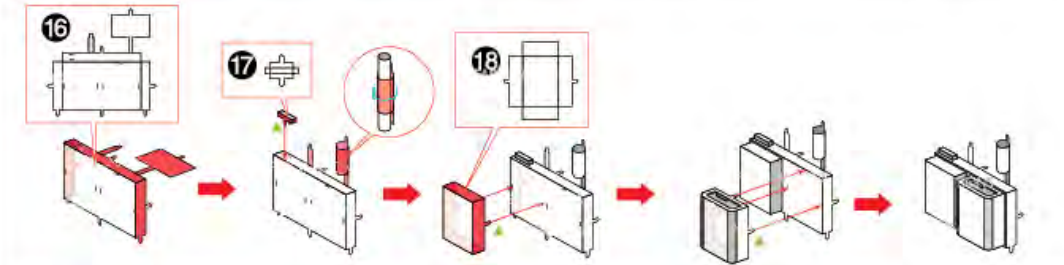
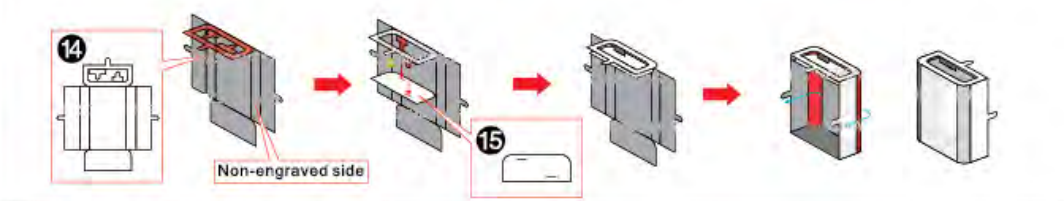
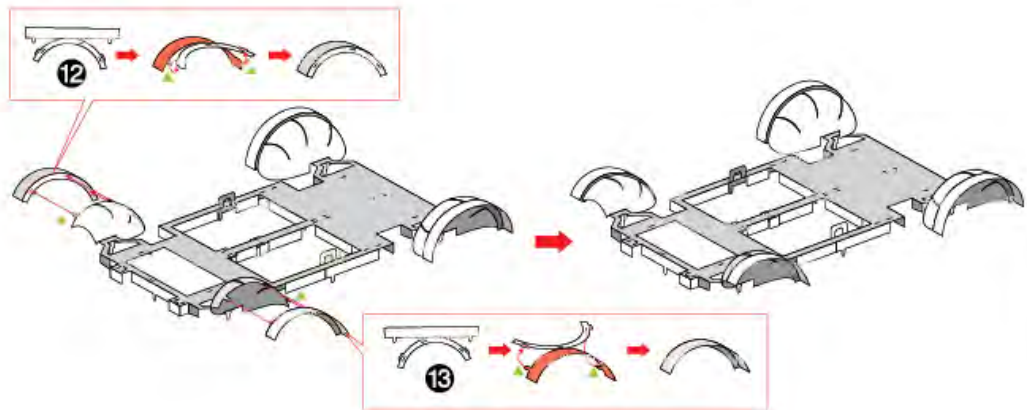
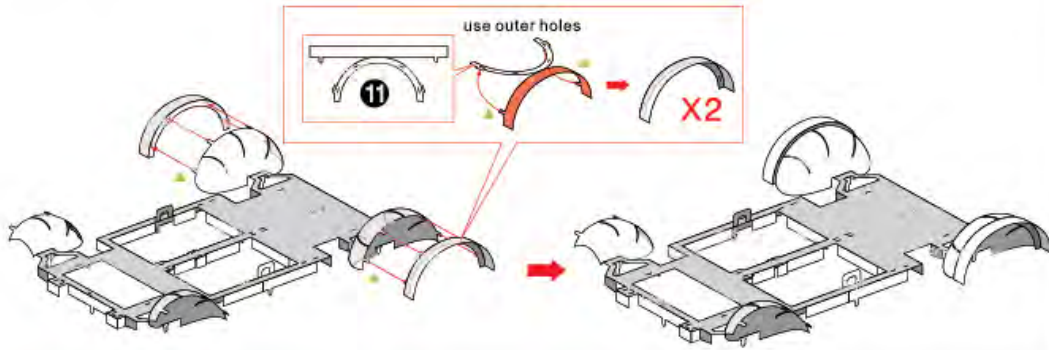
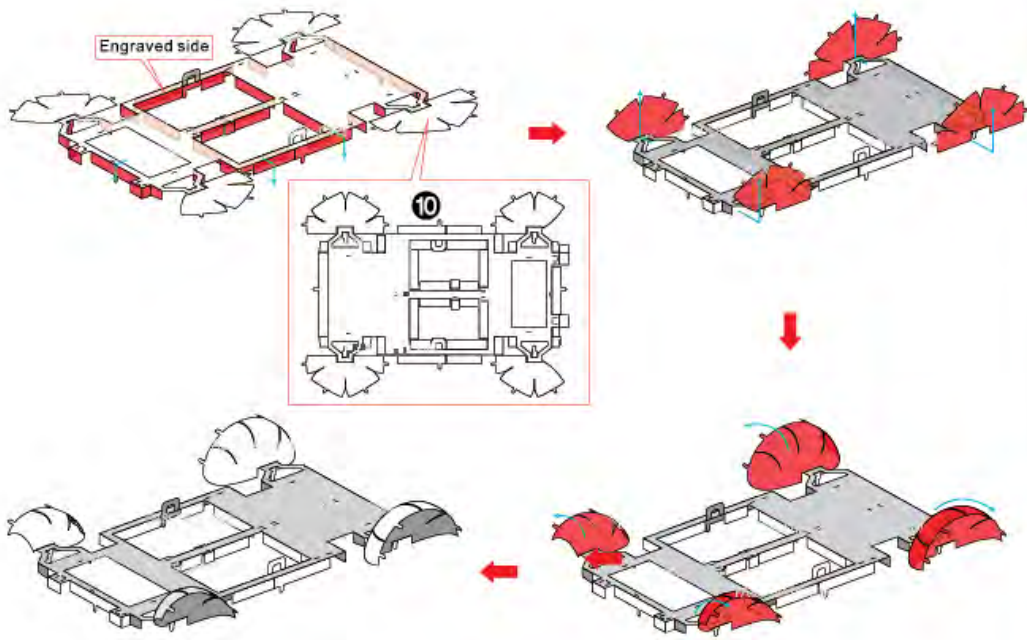


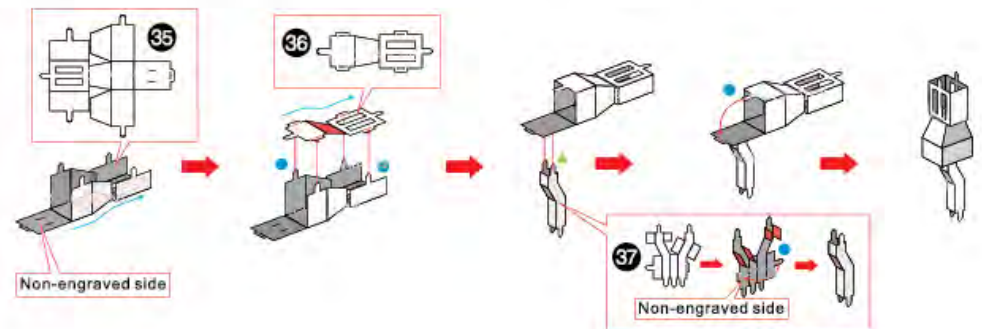
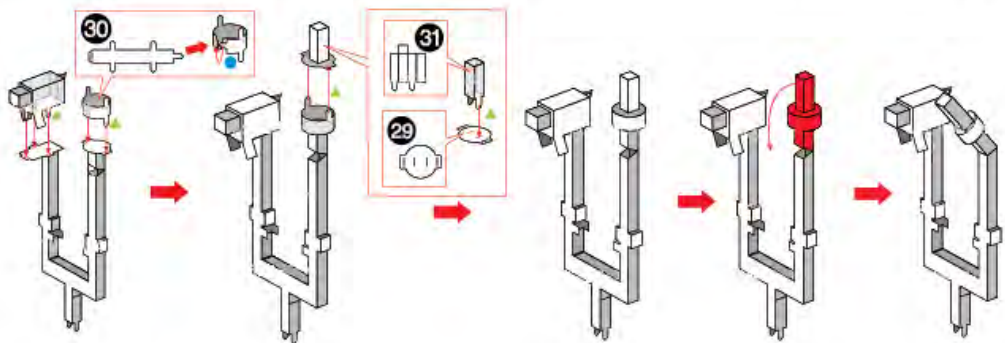
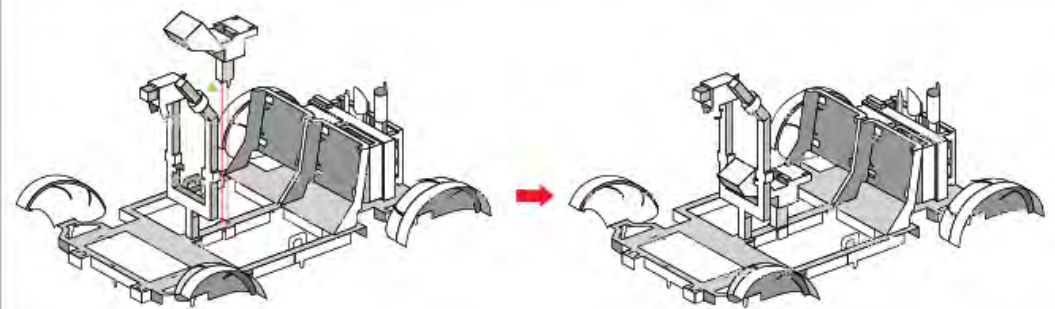
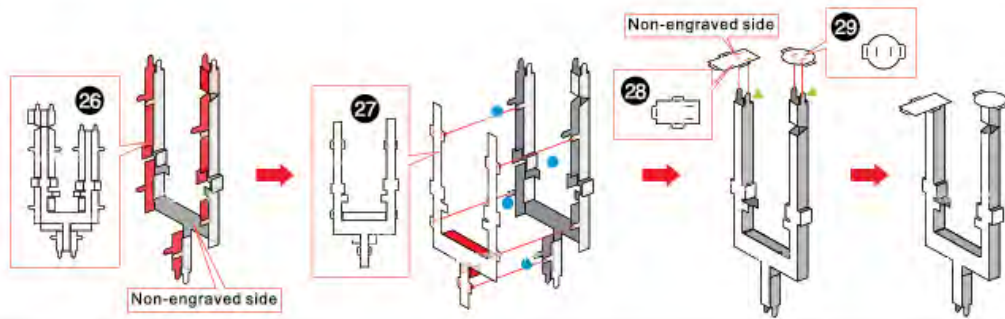
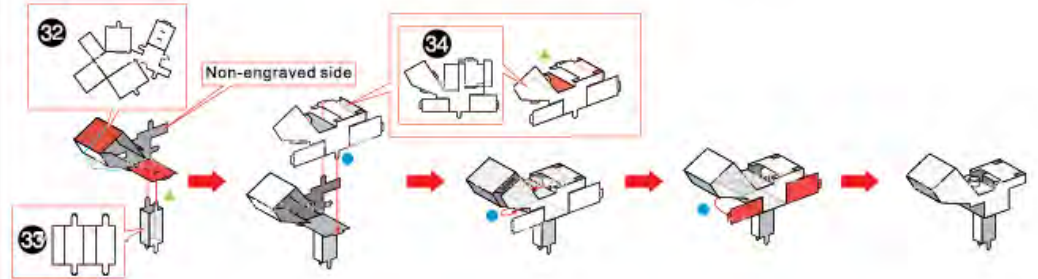
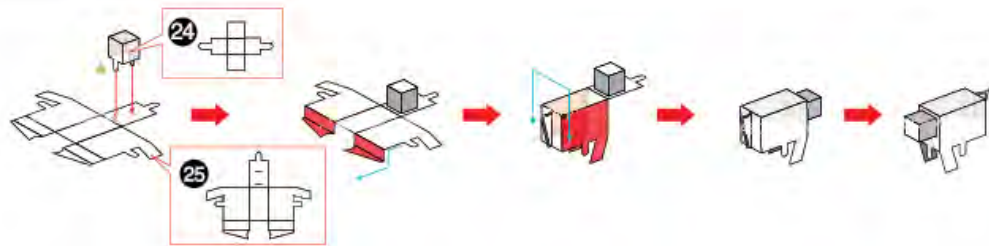
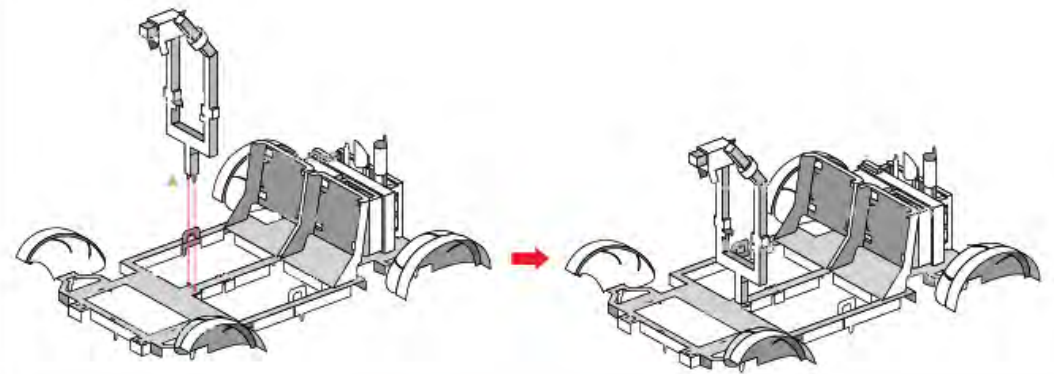
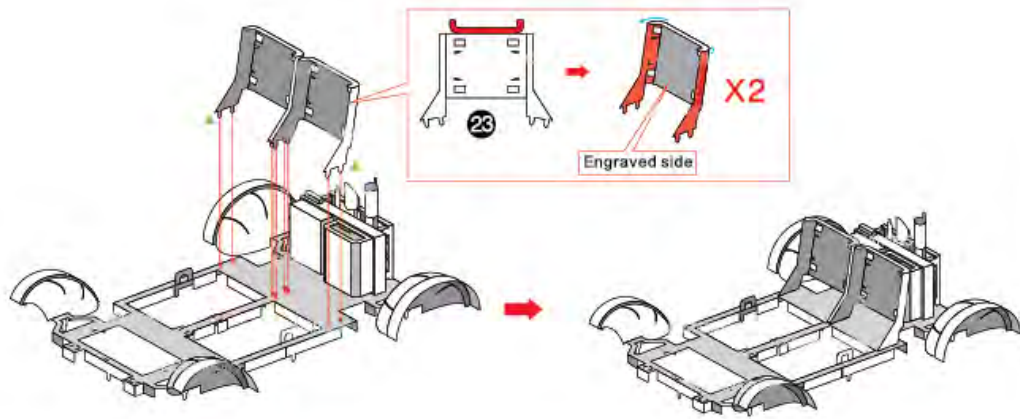
ASSEMBLY FLOW CHART

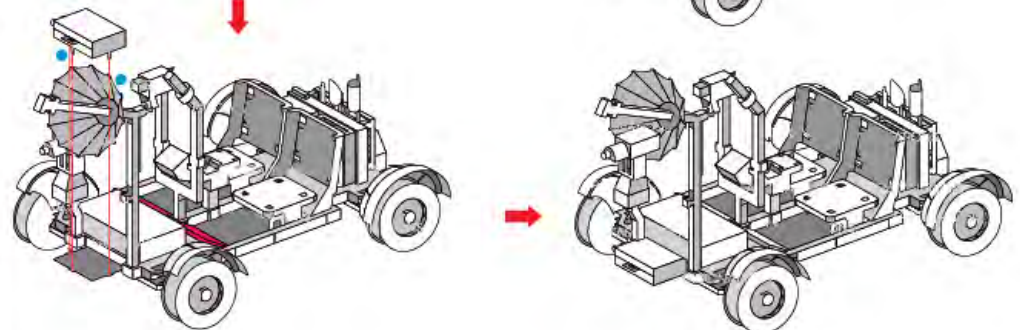
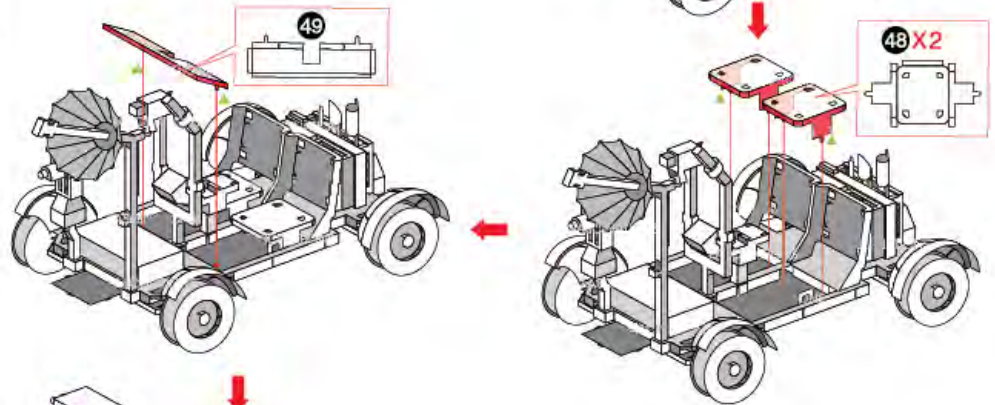
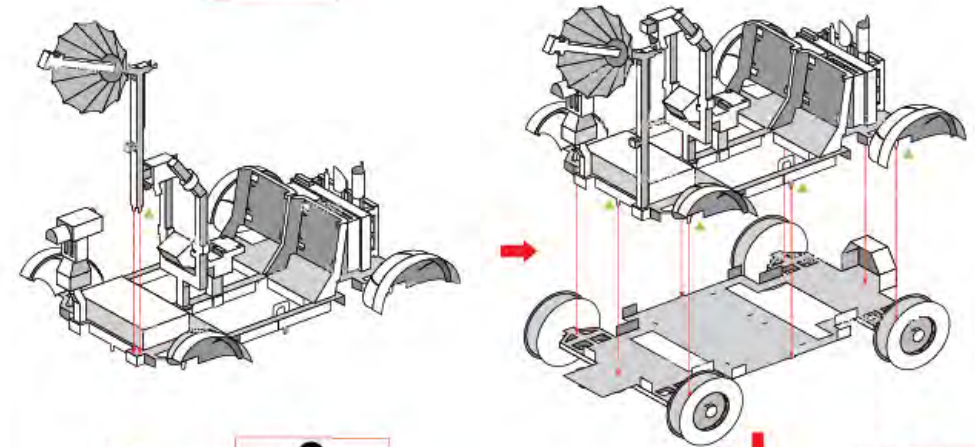
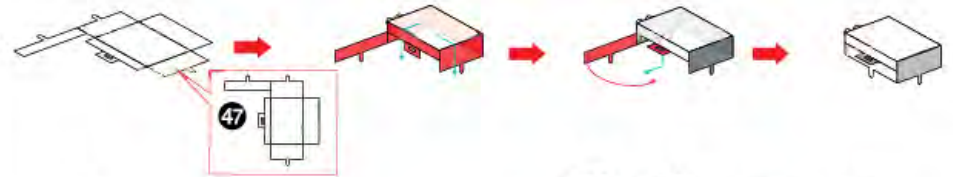
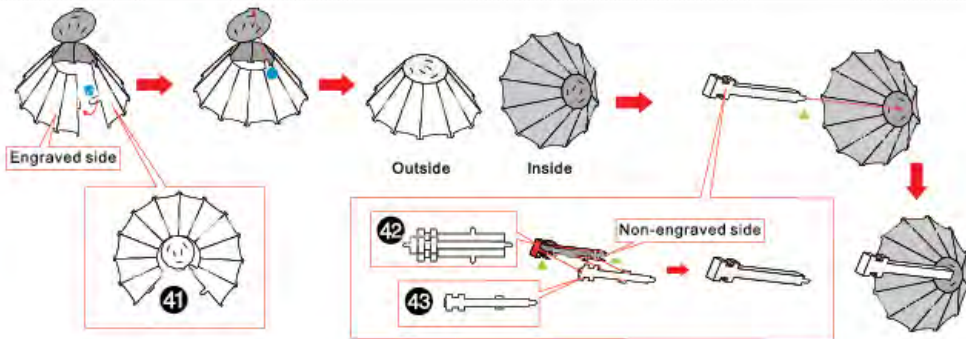
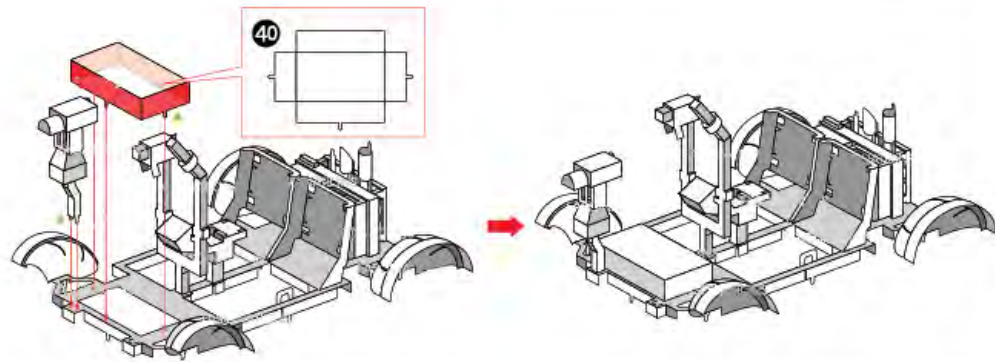
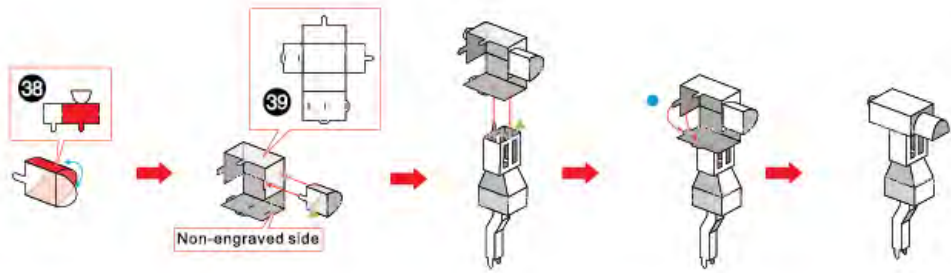


SHARP EDGES AND FUNCTIONAL SHARP POINTS. DISPOSE OF METAL SHEETS AFTER PARTS HAVE BEEN REMOVED TO AVOID POSSIBLE INJURY.



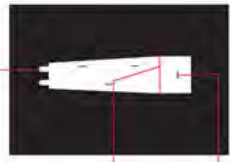
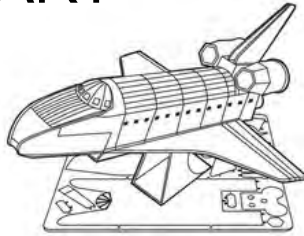




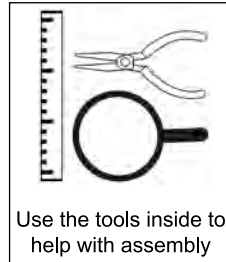


3D METAL ART

Space Shuttle




Tabs are inserted into position and then folded to secure
 Tabs slot in here
 Fold pieces along the scored lines




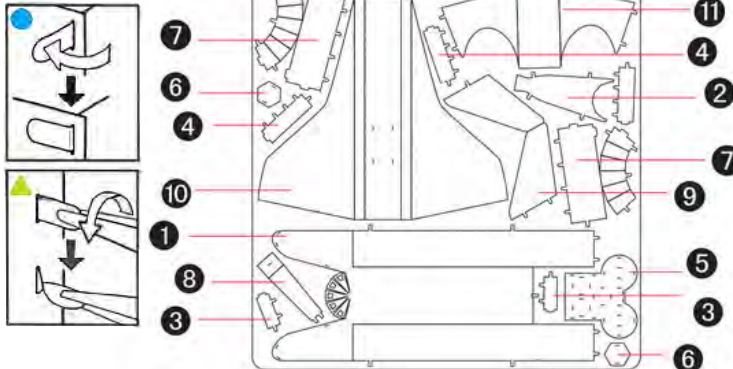
Use the tools inside to help with assembly

Metal sheet

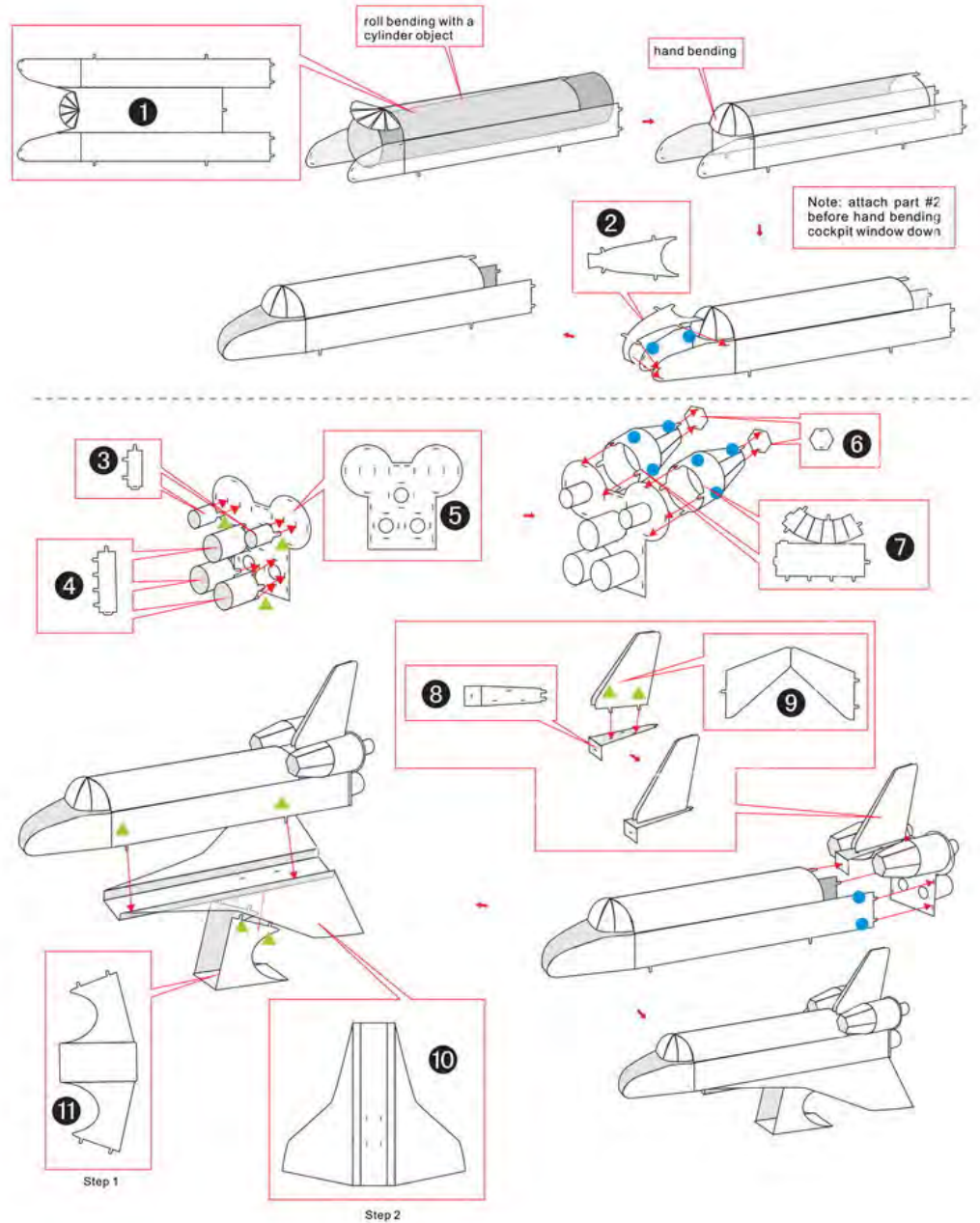
How to secure pieces

 For visible tabs; insert tab and bend 90 degrees

 For hidden tabs; insert tab and twist 90 degrees



ASSEMBLY FLOW CHART



SHARP EDGES AND FUNCTIONAL SHARP POINTS. DISPOSE OF METAL SHEETS AFTER PARTS HAVE BEEN REMOVED TO AVOID POSSIBLE INJURY.



Imported and distributed by Smart Fox a brand of Koch Media.
 Koch Media, Building 1230 Waterside, Arlington Business Park, Reading, RG7 4SA.
www.smartfoxgifting.com supportsmartfox@kochmedia.com
 Colours and contents may vary from those shown. Suitable for 14 years +.
 Please retain this information for future reference.

Made in China